

FreeRider[®]
working together

SPARE PARTS MANUAL

Mayfair-s

FR168-4S



U.K. 168-4S--BK2BBA2

INDEX

P1 HANDLE BAR ASSEMBLY P2

FRONT CHASSIS ASSEMBLY P3

CHASSIS MOULDINGS

P4 REAR CHASSIS ASSEMBLY-DRIVE

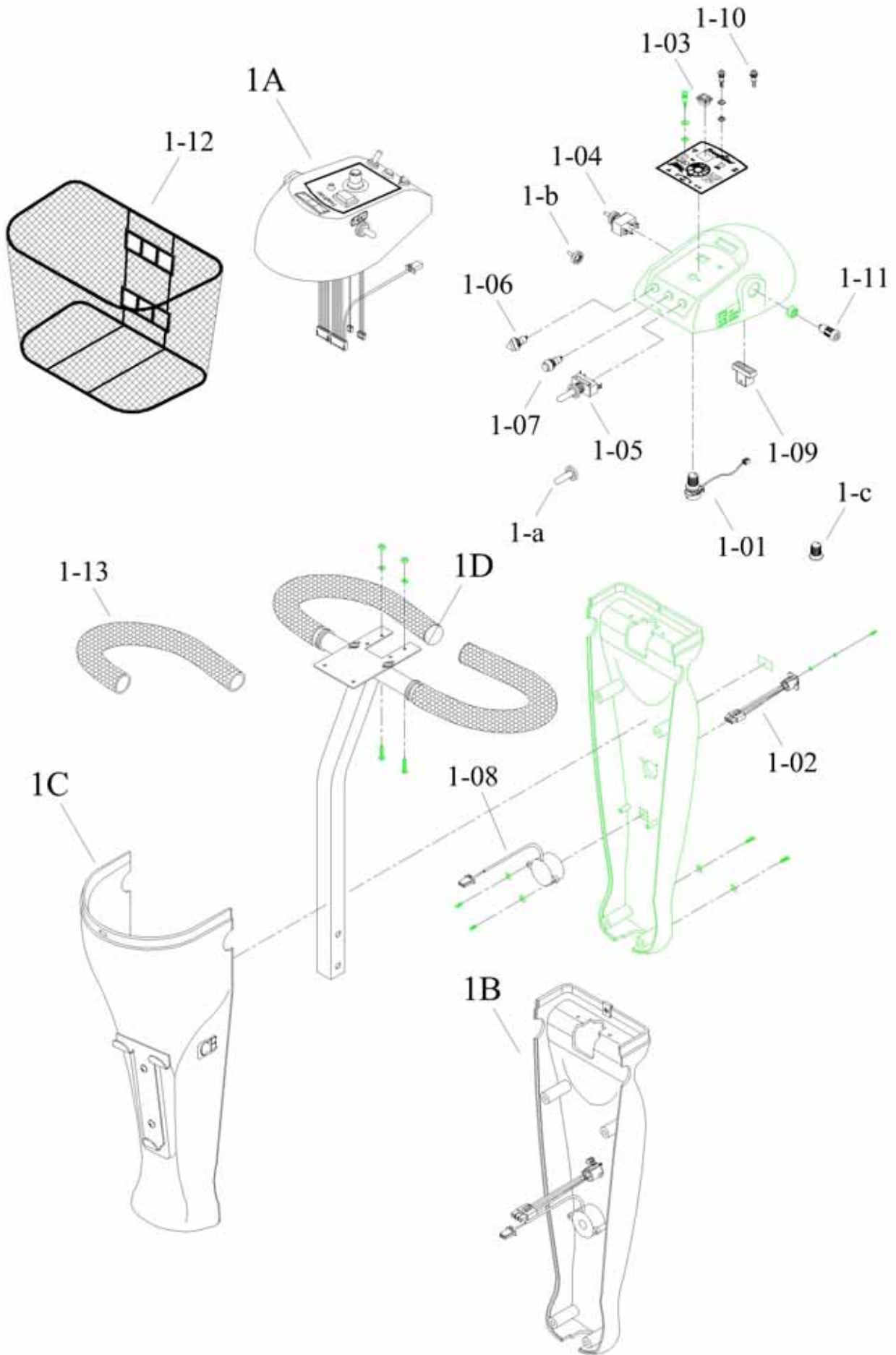
SYSTEM

P5 STEERING

P6 SEAT ASSEMBLY

P7 CONSOLE AND WIRING SYSTEM

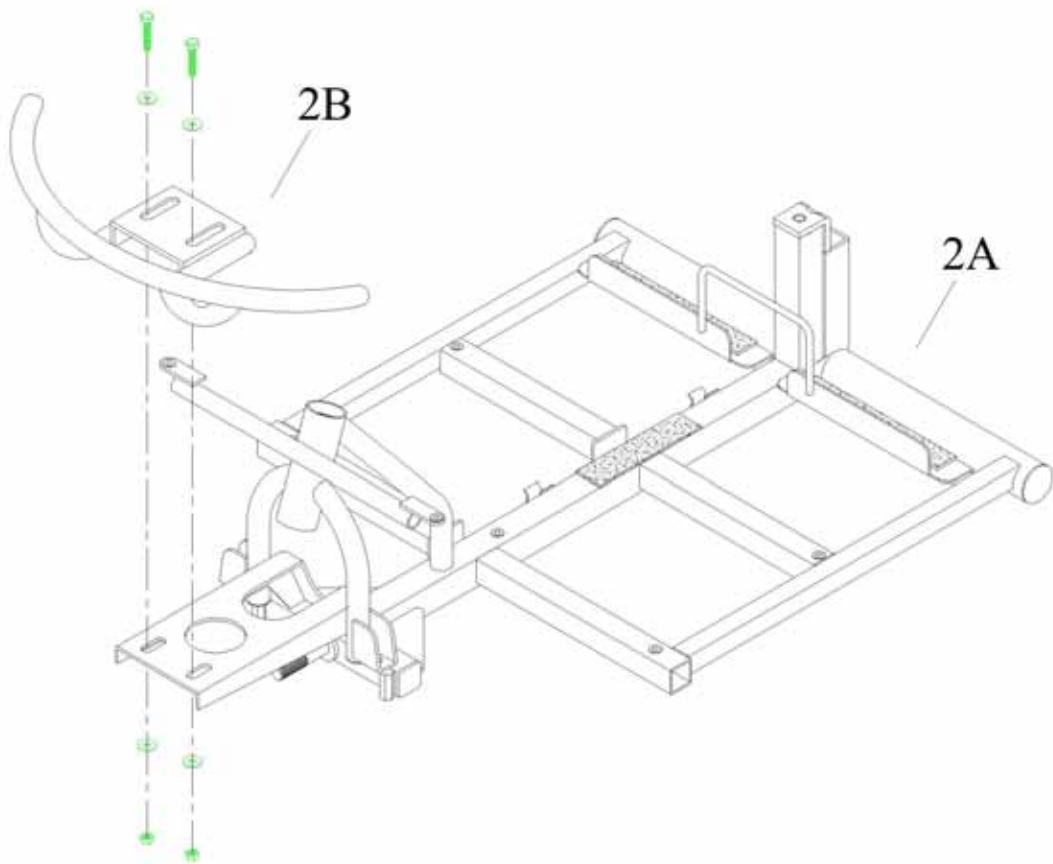
HANDLE BAR ASSEMBLY



HANDLE BAR ASSEMBLY

DRAWING NO.	PART NO.	PART NAME			
1A	AA01-0202-D2	TOP CONSOLE COVER ASSY.			
1B	AA02-0100-D2	HANDLE BAR COVER REAR ASSY.			
1C	AA03-0400-D2	HANDLE BAR COVER FRONT ASSY.			
1D	PA01-A401	HANDLE BAR ASSY.			
1-01	PAE1-0100-MO	VARIABLE RESISTOR 20KVRASSY. (HI/LO)			
1-02	PAE1-0405-NP	CHARGER SOCKET ASSY.			
1-03	PAE1-0800	HEADLIGHT SWITCH ASSY.			
1-04	PKE1-0104	HI/LO SPEED SWITCH ASSY			
1-05	PKE1-0105	INDICATOR SWITCH ASSY.			
1-06	PKE1-0101	WARNING LIGHT SWITCH			
1-07	PKE1-0103	HORN BUTTON			
1-08	PKE1-0603	HORN			
1-09	PKE1-0700	BATTERY METER ASSY.			
1-10	PKE1-0802	HI/LO SPEED LED (RED)			
1-11	PM01-0100	KEY SWITCH			
1-12	PM90-0100	BASKET			
1-13	PP02-0501	HAND GRIP			
1-a	PP01-0200	INDICATOR SWITCH CAP			
1-b	PP01-0201	HI/LO SPEED SWITCH CAP			
1-c	PP01-0500	SPEED KNOB			

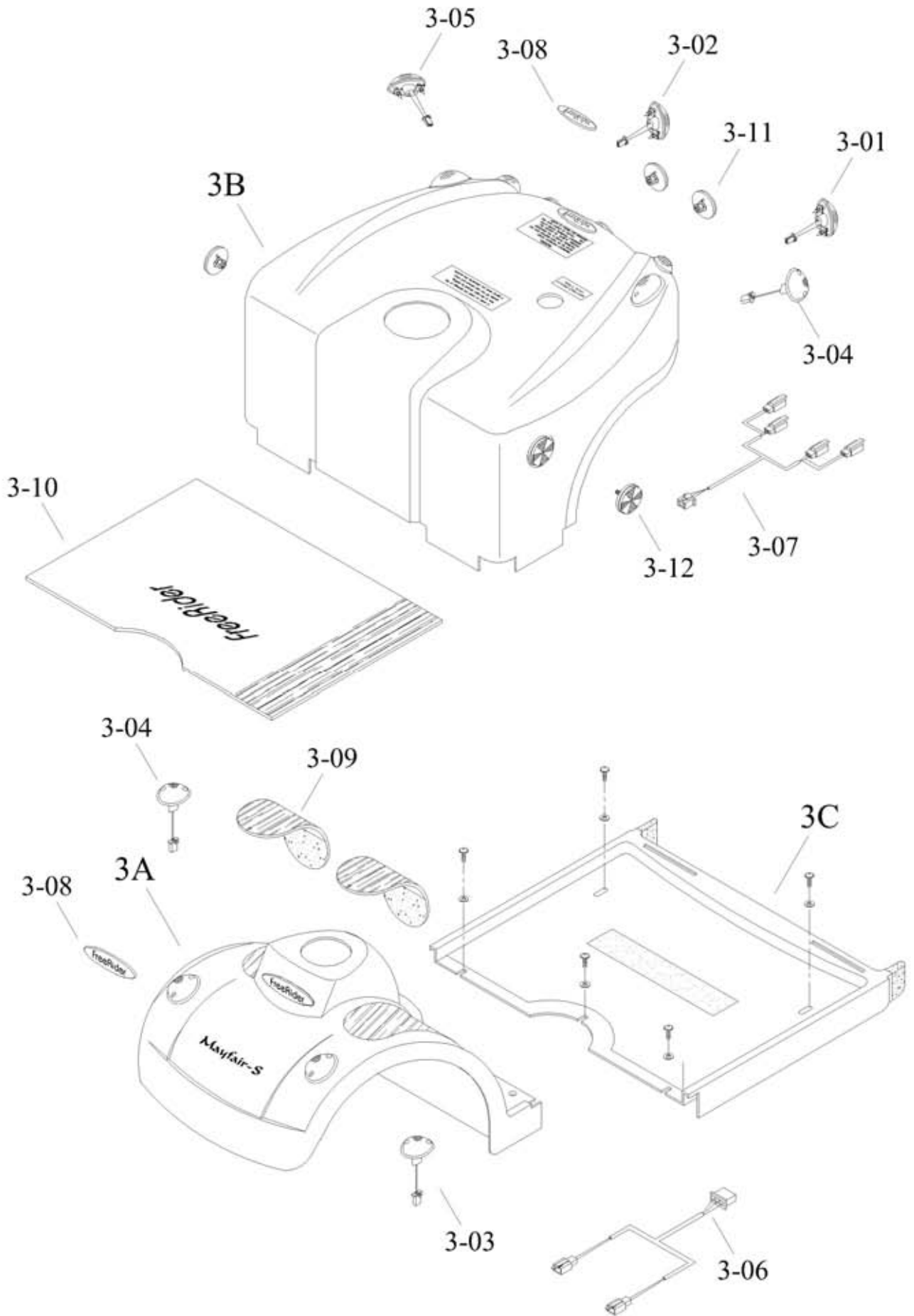
FRONT CHASSIS ASSEMBLY



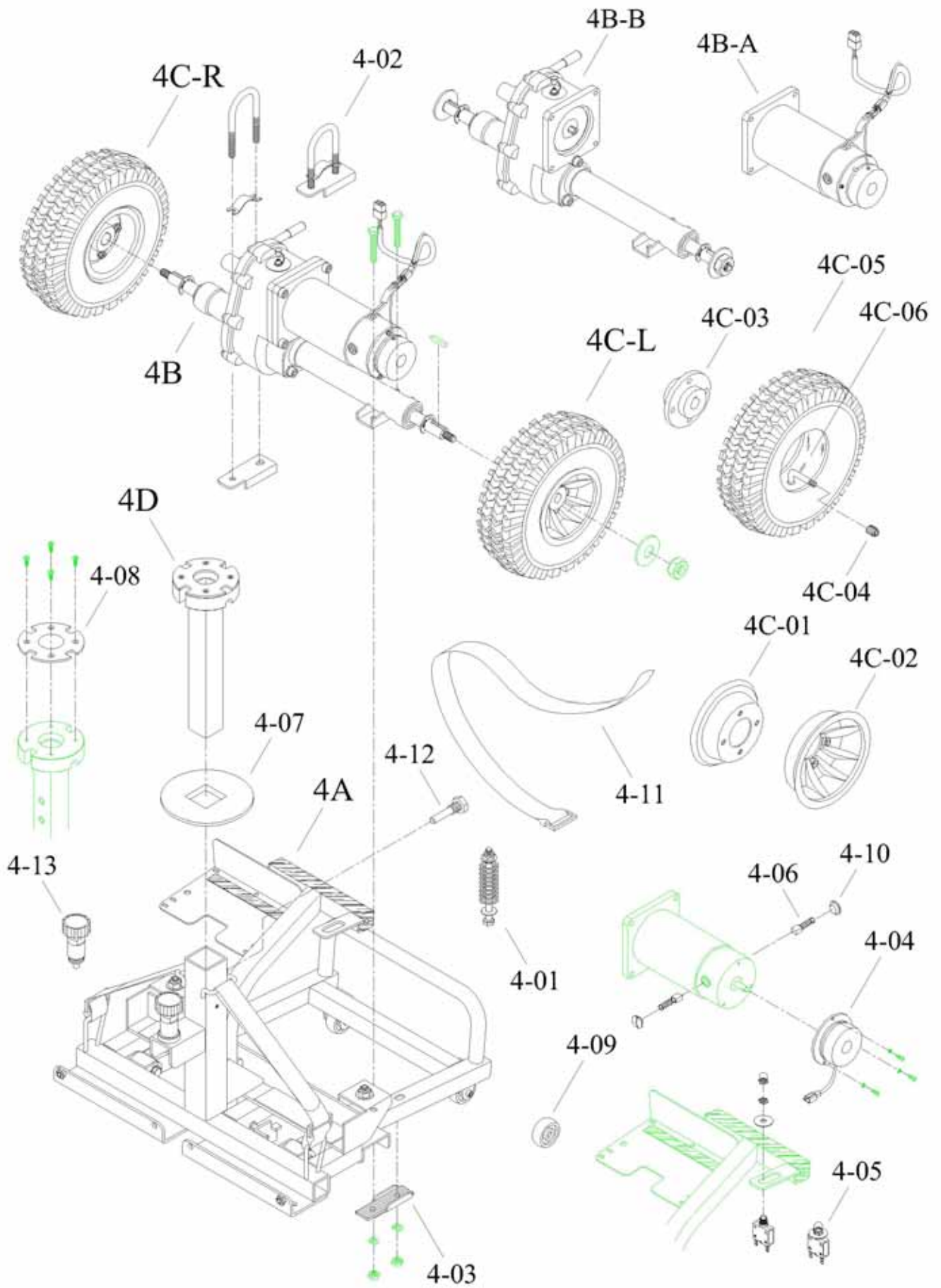
FRONT CHASSIS ASSEMBLY

DRAWING NO.	PART NO.	PART NAME			
2A	AB06-0500-S	FRONT CHASSIS ASSY.			
2B	PM06-0208	FRONT BUMPER ASSY.			

CHASSIS MouldINGS



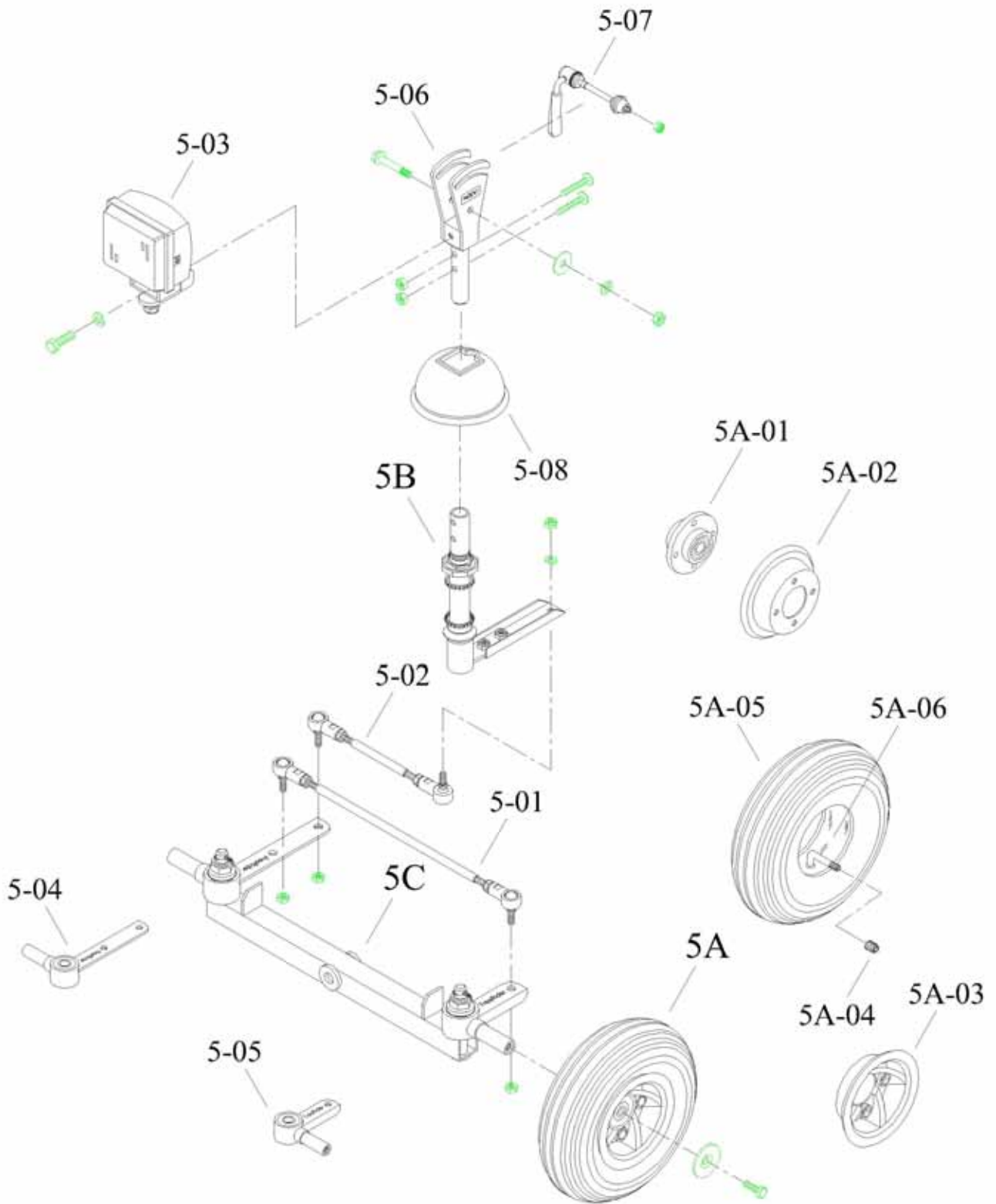
REAR CHASSIS ASSEMBLY-DRIVE SYSTEM



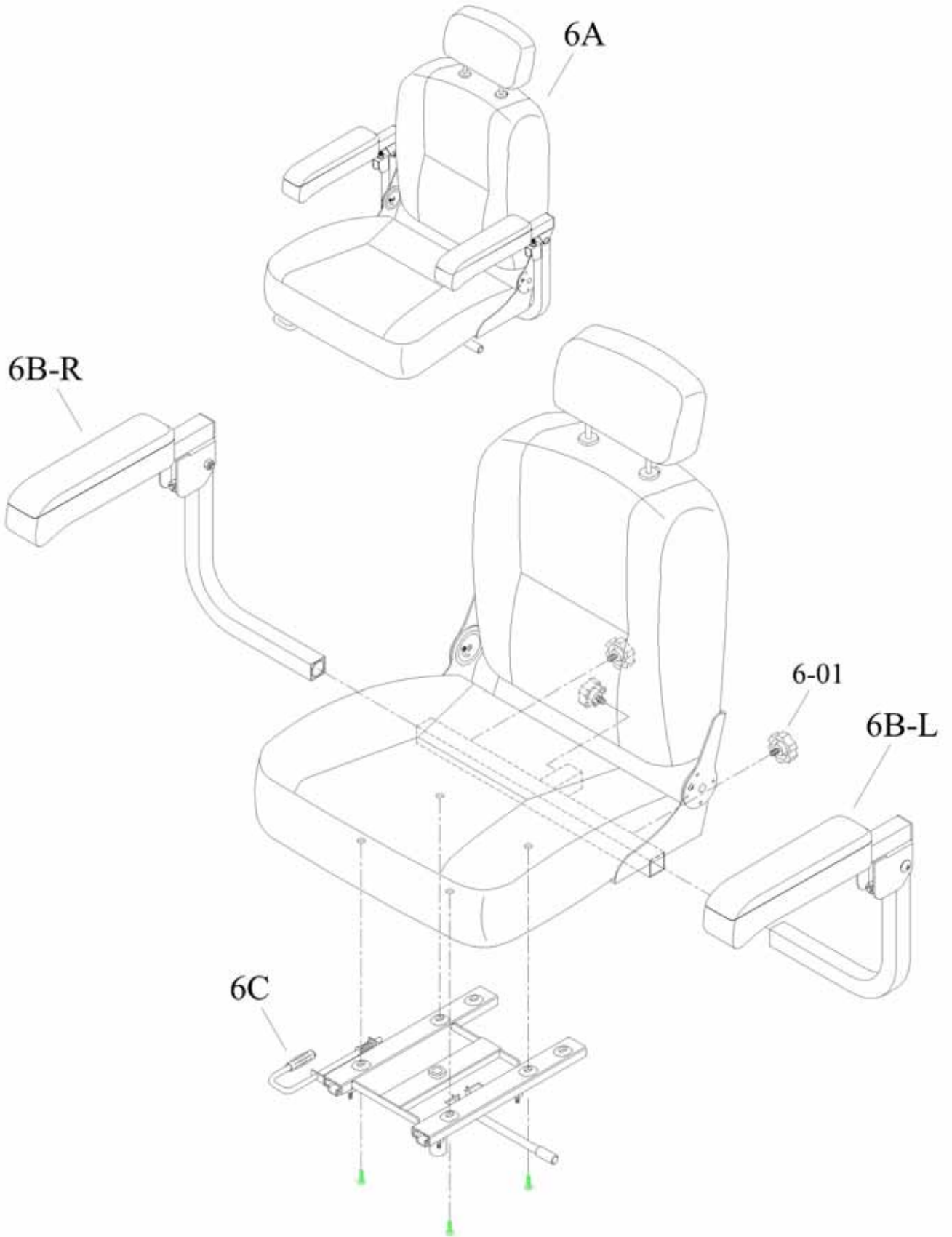
REAR CHASSIS ASSEMBLY-DRIVE SYSTEM

DRAWING NO.	PART NO.	PART NAME			
4A	AB07-0502-S	REAR CHASSIS ASSY.			
4B	AC11-0602-D51	TRANS AXLE ASSY.			
4B-A	PA05-A121-D51	MOTOR ASSY.			
4B-B	PA11-A300	TRANS AXLE ASSY			
4C-L	AC13-0401-L	REAR WHEEL ASSY. (LEFT)			
4C-R	AC13-0401-R	REAR WHEEL ASSY. (RIGHT)			
4C-01	PM12-0300	INNER RIM (STEEL) 13"			
4C-02	PM12-0400	OUTER RIM (AL., BLACK) 13"			
4C-03	PM13-0104	D19 HUB (REAR)			
4C-04	PP92-0001	VALVE CAP			
4C-05	PP92-0401-DI	(4.10/3.50-5) TYRE			
4C-06	PP93-0401-I	(4.10/3.50-5) TUBE			
4D	PA06-A701	SEAT POST ASSY.			
4-01	PA06-B100	PRESSING SPIRAL SPRING ASSY.			
4-02	PA07-A600	M8 U TYPE SCREW ASSY.			
4-03	PA07-A700	U TYPE BRACKET ASSY.			
4-04	PM11-0110	MAGNETIC BRAKE			
4-05	PKE2-0403	CIRCUIT BREAKER 35AMP			
4-06	PM11-0401	MOTOR CARBON BRUSH			
4-07	PP06-0102	TUBBER COVER REAR FLAT			
4-08	PP06-0202	SEAT POST REAR FLAT			
4-09	PP07-0102	ANTI-TIP WHEEL SMALL			
4-10	PP11-0202	MOTOR CARBON BRUSH CAP			
4-11	PP90-0401	SEAT POST REAR FLAT			
4-12	PV00-0702-1	7/16×8×48L BOLT			
4-13	PV06-0801	RELEASE TIGHTEN KNOB			

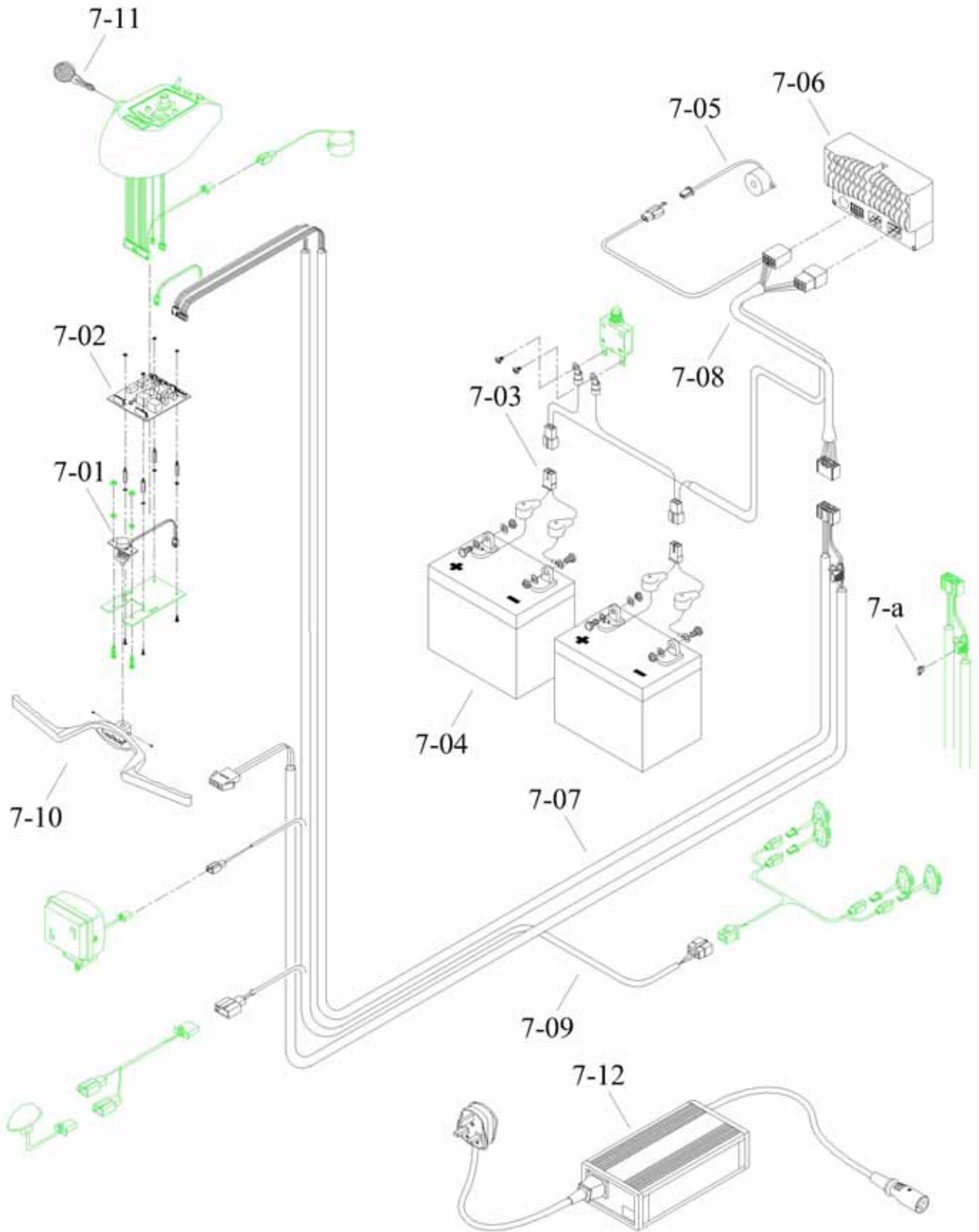
STEERING



CAPTAIN'S SEAT ASSEMBLY



CONSOLE AND WIRING SYSTEM



CONSOLE AND WIRING SYSTEM

DRAWING NO.	PART NO.	PART NAME			
7-01	PA02-A200	5KVR POTENTIOMETER BRACKET ASSY.			
7-02	PAE1-0305	P.C.B (SPC 1 94V-0)			
7-03	PAE3-0300-R	BATTERY CABLE ASSY			
7-04	PK90-0205-GS	BATTERY (36A)			
7-05	PKE1-0601	REVERSE HORN			
7-06	PKE2-0100	CONTROLLER DS70			
7-07	PKE2-0211-F1	MAIN CABLE ASSY. DS70			
7-08	PKE2-0312	MAIN CABLE FOR CONTROLLER			
7-09	PKE3-0606	LIGHT CABLE			
7-10	PM02-0302-D2	WIGWAG LEVER (AL.)			
7-11	PM90-0900	KEY			
7-12	PK90-C402-1	4A BATTERY CHARGER			
7-a	PKE1-1002-2	10A FUSE			