

**FreeRider**<sup>®</sup>  
*working together*

# SPARE PARTS MANUAL

*Westminster*  
**Westminster**

FR510-GDX



U.K. 510GDX--SI8GAA2

# **INDEX**

**P1 HANDLE BAR ASSEMBLY**

**P2 CHASSIS MOULDINGS**

**P3 FRONT CHASSIS ASSEMBLY**

**P4 REAR CHASSIS DRIVE SYSTEM**

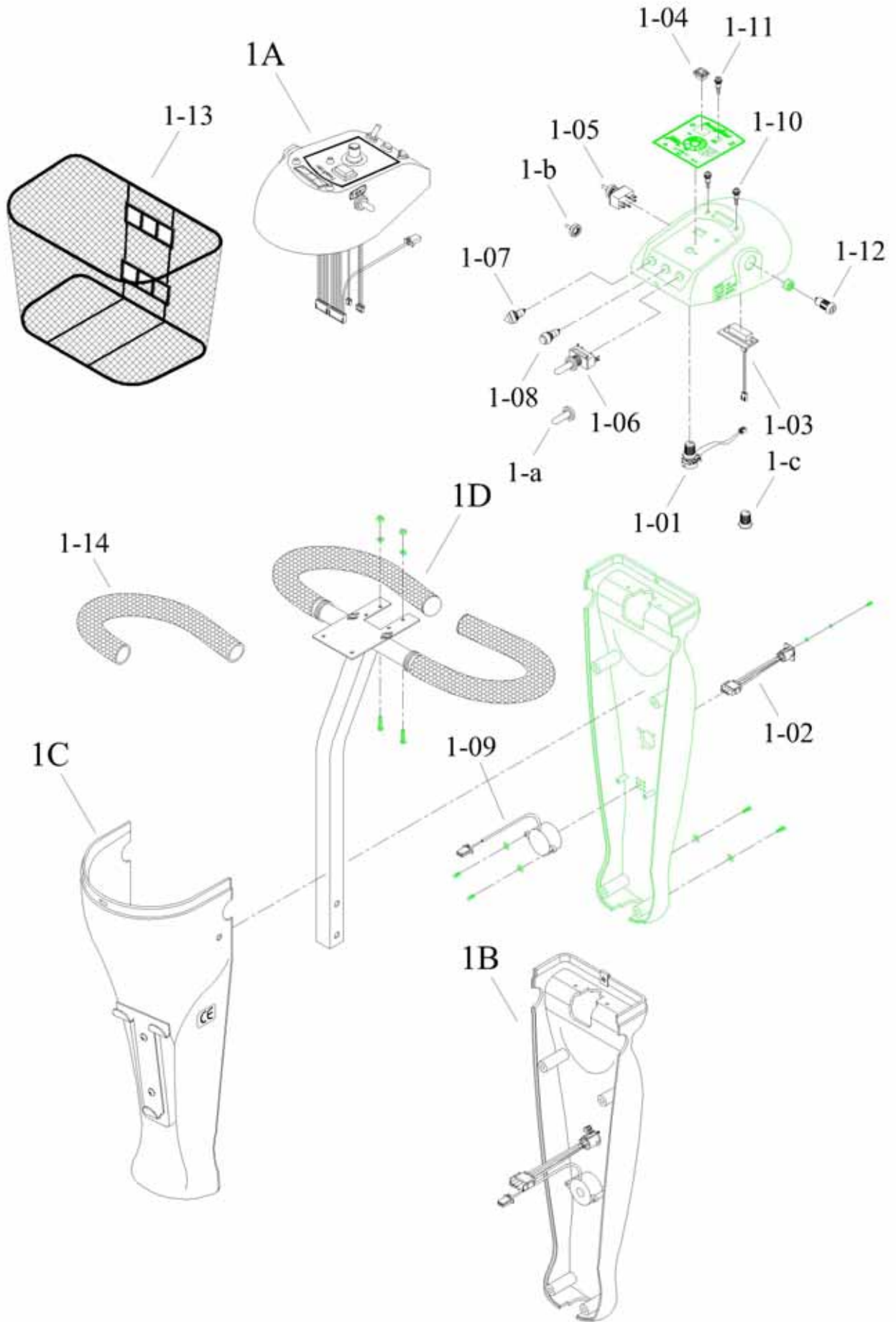
**P5 STEERING SYSTEM**

**P6 HAND BRAKE ASSEMBLY**

**P7 SEAT ASSEMBLY**

**P8 CONSOLE AND WIRING SYSTEM**

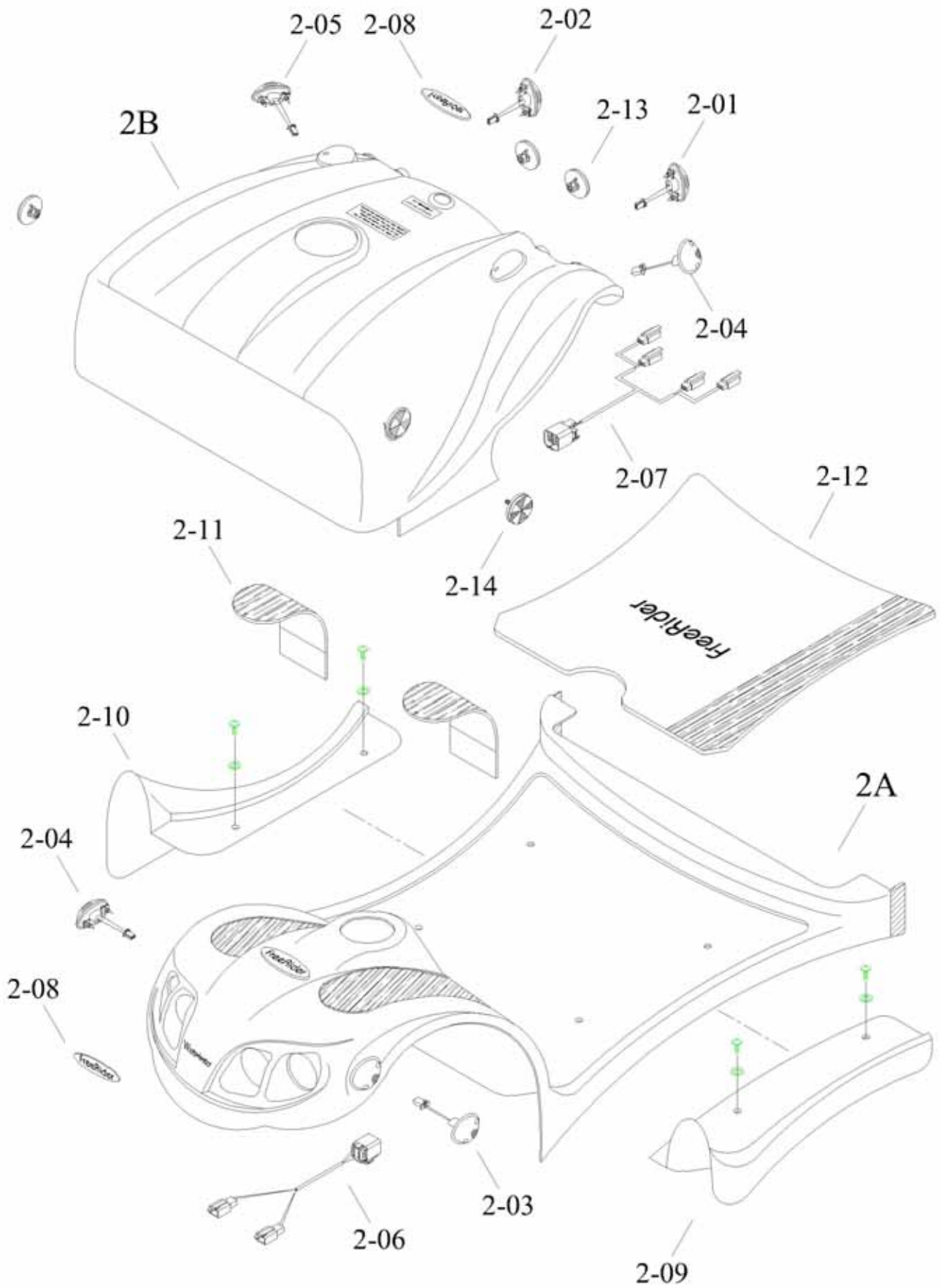
# HANDLE BAR ASSEMBLY



# HANDLE BAR ASSEMBLY

DRAWING NO.	PART NO.	PART NAME			
1A	AA01-0300-S1	TOP CONSOLE COVER ASSY.			
1B	AA02-0200-S1	HANDLE BAR COVER REAR ASSY.			
1C	AA03-0200-S1	HANDLE BAR COVER FRONT ASSY.			
1D	PA01-A402	HANDLE BAR ASSY. (LONG)			
1-01	PAE1-0101-MO	VARIABLE RESISTOR 50KVR ASSY.			
1-02	PAE1-0404-NP	CHARGER SOCKET ASSY.			
1-03	PAE1-0503	BATTERY METER ASSY.			
1-04	PAE1-0800	HEADLIGHT SWITCH ASSY.			
1-05	PKE1-0104	HI/LO SPEED SWITCH ASSY			
1-06	PKE1-0105	INDICATOR SWITCH ASSY.			
1-07	PKE1-0101	WARNING SWITCH			
1-08	PKE1-0103	HORN BUTTON			
1-09	PKE1-0603	HORN			
1-10	PKE1-0800	INDICATOR LED (GREEN)			
1-11	PKE1-0802	HI/LO SPEED LED (RED)			
1-12	PM01-0100	KEY SWITCH			
1-13	PM90-0100	BASKET			
1-14	PP02-0500-1	HAND GRIP (LONG)			
1-a	PP01-0200	INDICATOR SWITCH CAP			
1-b	PP01-0201	HI/LO SPEED SWITCH CAP			
1-c	PP01-0500	SPEED KNOB			

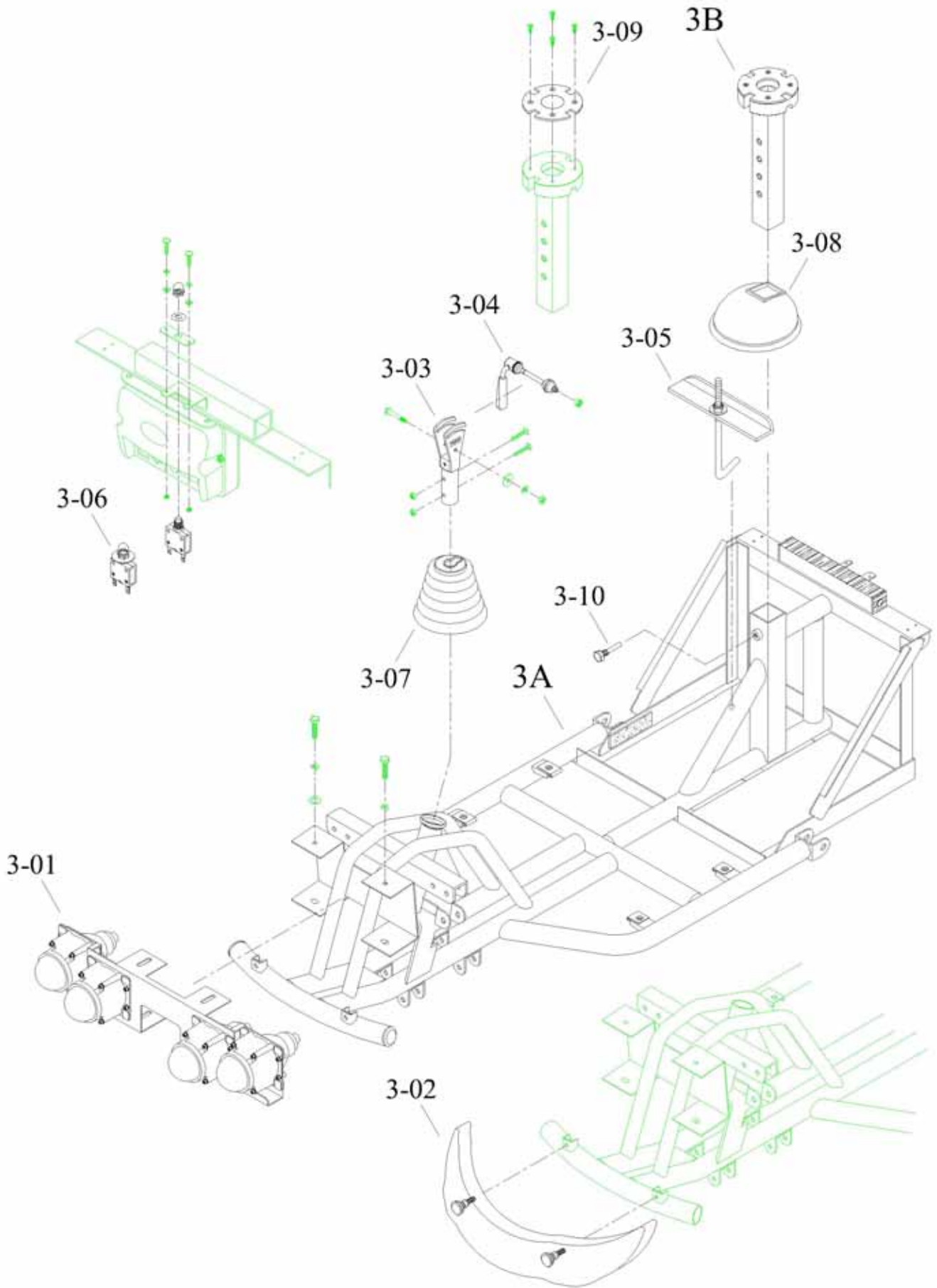
# CHASSIS MOULDINGS



# CHASSIS MOULDINGS

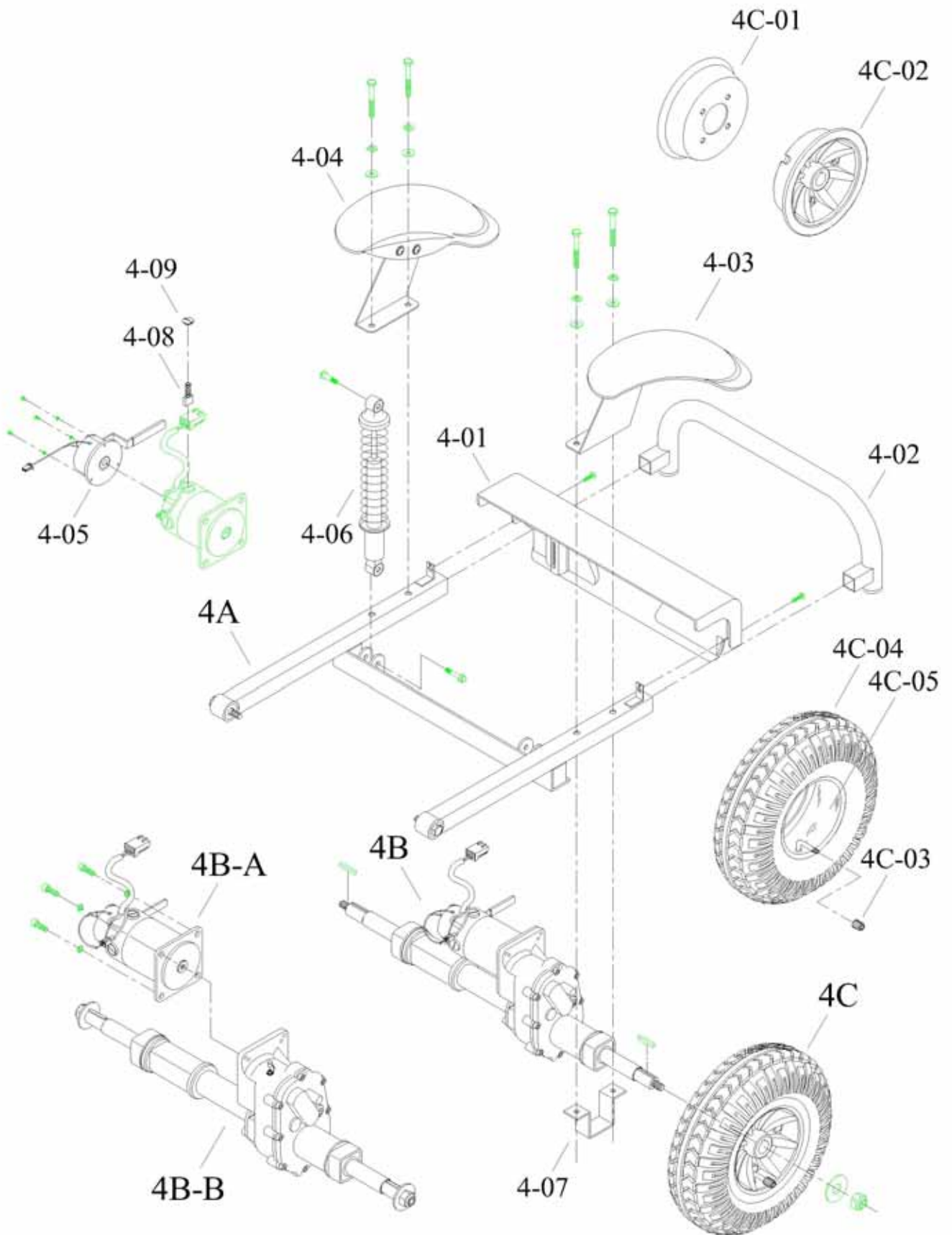
DRAWING NO.	PART NO.	PART NAME		GBP	
2A	AA04-0200-S1	FRONT CHASSIS COVER ASSY.			
2B	AA05-0200-S1	REAR CHASSIS COVER ASSY.			
2-01	PAE3-0101-L	TAIL LIGHT LEFT ASSY. (RED)			
2-02	PAE3-0101-R	TAIL LIGHT RIGHT ASSY. (RED)			
2-03	PAE3-0201-L	INDICATOR LIGHT LEFT ASSY.			
2-04	PAE3-0201-L/R	INDICATOR RIGHT (R) / LEFT (F) ASSY.			
2-05	PAE3-0201-R	INDICATOR RIGHT ASSY.			
2-06	PKE3-0401	FRONT INDICATOR CONNECTING WIRE			
2-07	PKE3-0501-2	REAR INDICATOR CONNECTING WIRE			
2-08	PL00-0100	DECAL "FREERIDER"			
2-09	PP04-0306-L	SCUFF PAD FOR LEFT SIDE			
2-10	PP04-0306-R	SCUFF PAD FOR RIGHT SIDE			
2-11	PP04-0403	CARPET			
2-12	PP04-0502	FLOOR MAT			
2-13	PP05-0400-R	REFLECTOR (RED)			
2-14	PP05-0400-Y	REFLECTOR (YELLOW)			

# FRONT CHASSIS ASSEMBLY





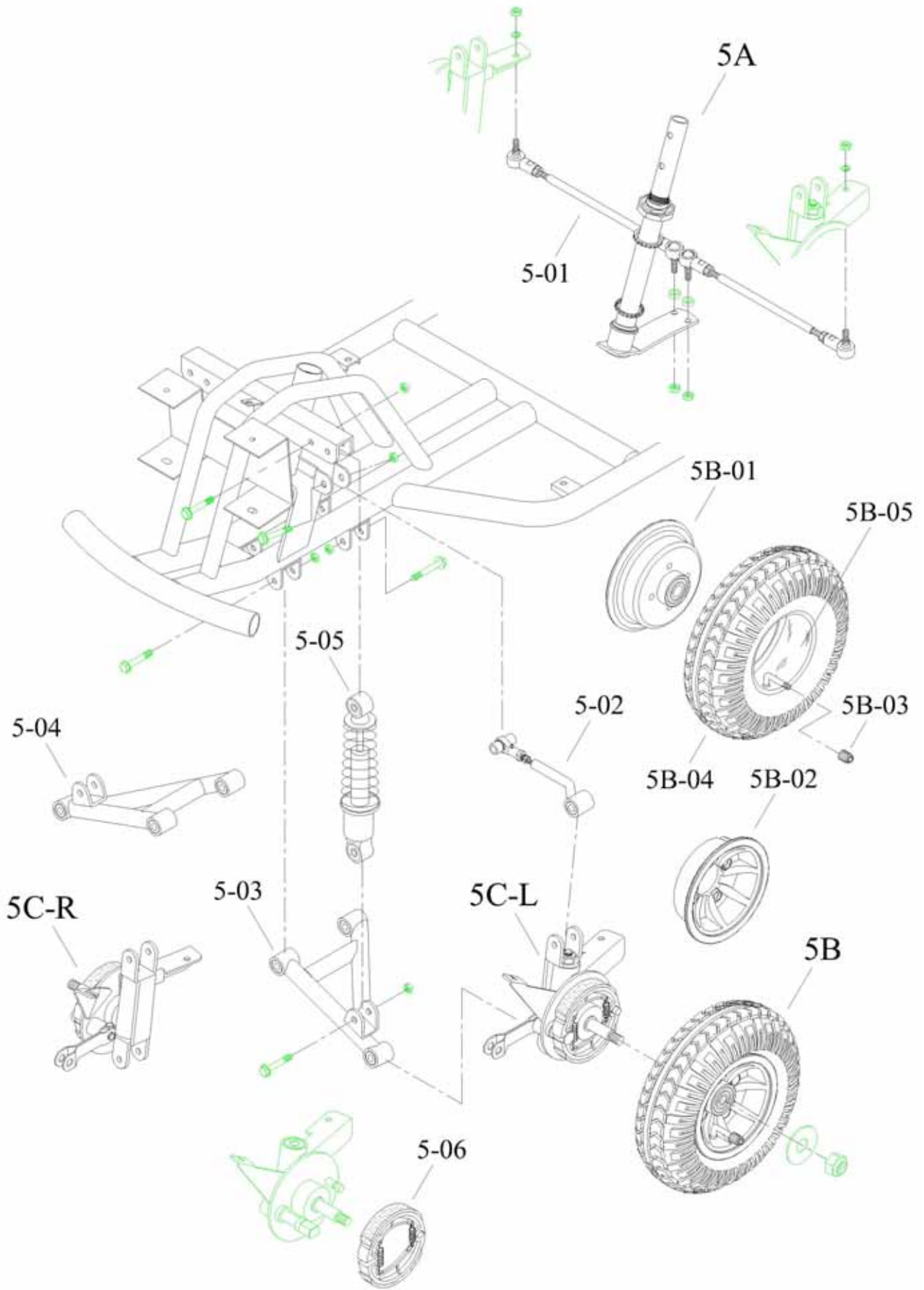
# REAR CHASSIS DRIVE SYSTEM ASSEMBLY



# REAR CHASSIS DRIVE SYSTEM ASSEMBLY

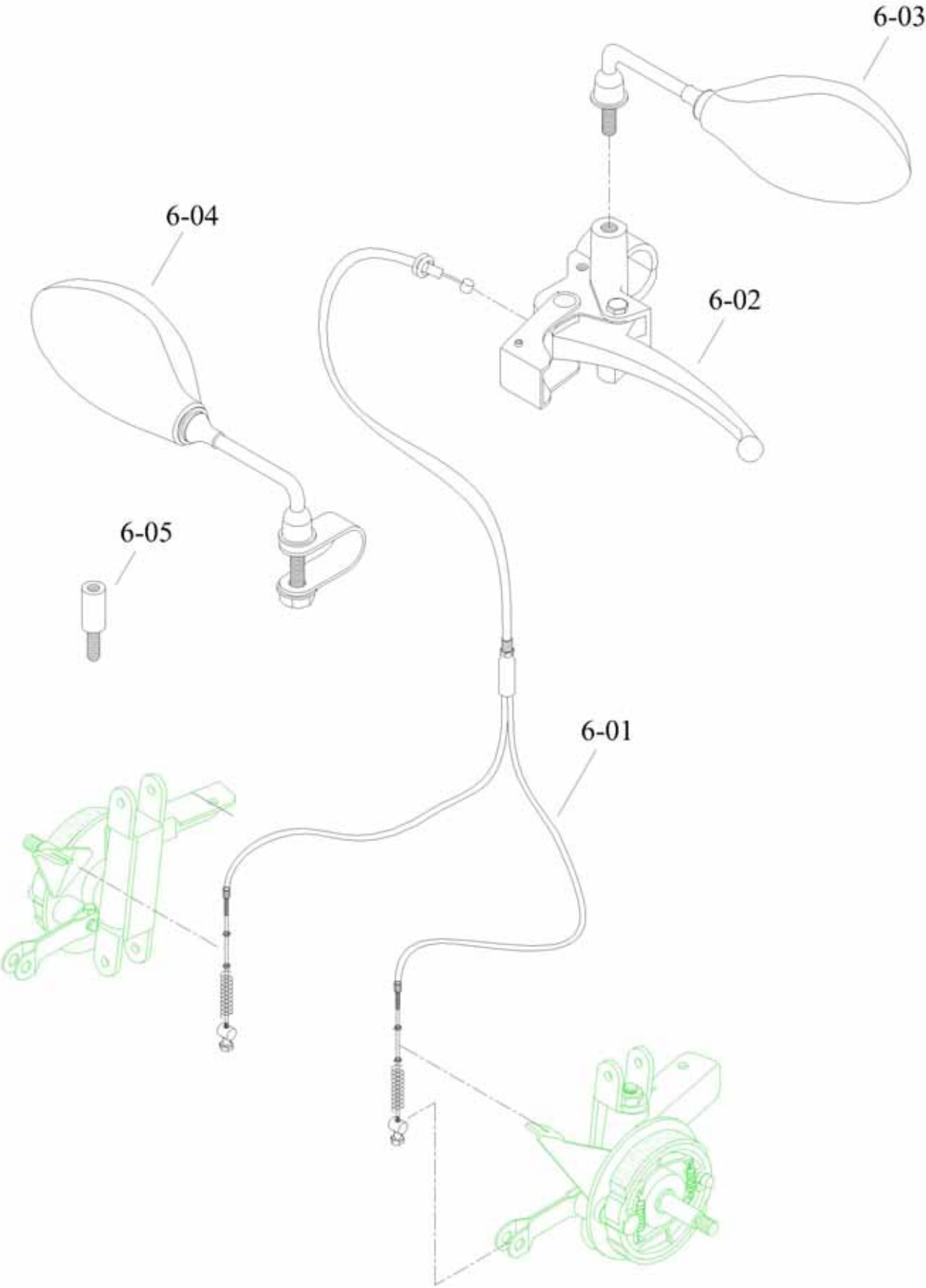
DRAWING NO.	PART NO.	PART NAME			
4A	AB07-0200	REAR CHASSIS ASSY.			
4B	AC11-1000-SY57	104 TRANS AXLE ASSY.			
4B-A	PA05-A116	5700RPM MOTOR ASSY. (950W)			
4B-B	PA11-A502	104 TRANS AXLE			
4C	AC13-0200-DC	REAR WHEEL ASSY.			
4C-01	PM12-0306	INNER RIM (STEEL) 14"			
4C-02	PM12-0405	OUTER RIM (AL., BLACK) 14"			
4C-03	PP92-0001	VALVE CAP			
4C-04	PP92-0600-DC	4.00-6 K-304A TYRE			
4C-05	PP93-0700-C	4.00-6 TUBE			
4-01	PA04-A300	MOTOR COVER ASSY.			
4-02	PA07-A401	REAR BUMPER ASSY			
4-03	PA07-B100-L	BRACKET ASSY. (LEFT)			
4-04	PA07-B100-R	BRACKET ASSY. (RIGHT)			
4-05	PM11-0112	MAGNETIC BRAKE ASSY. (100KG)			
4-06	PM06-0501-D	HYDRAULIC SUSPENSION			
4-07	PM07-0205	TRANSAXLE BRACKET			
4-08	PM11-0408-61	61% MOTOR CARBON BRUSH			
4-09	PP11-0205	MOTOR CARBON BRUSH CAP			

# STEERING SYSTEM



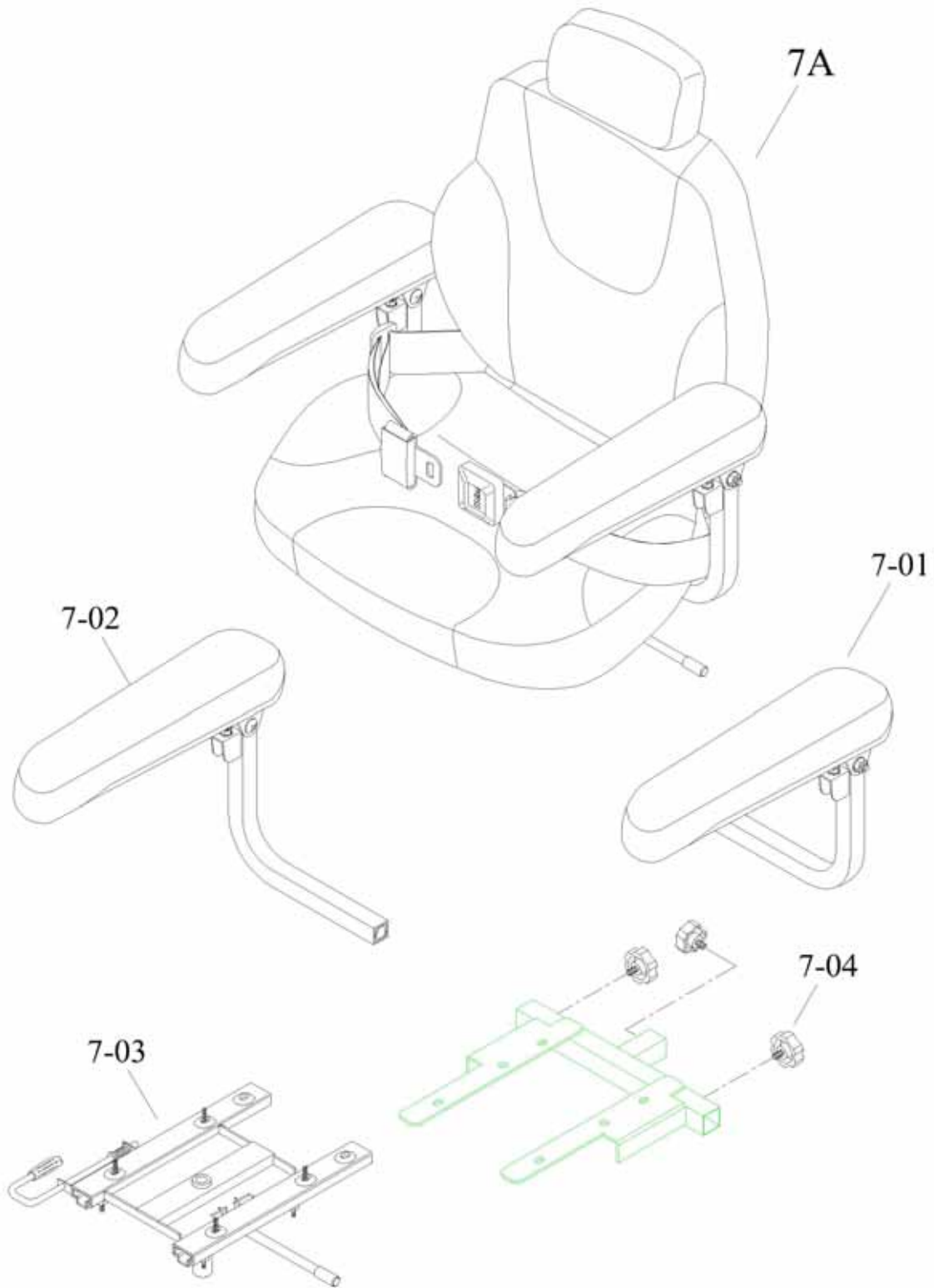


# HAND BRAKE ASSEMBLY





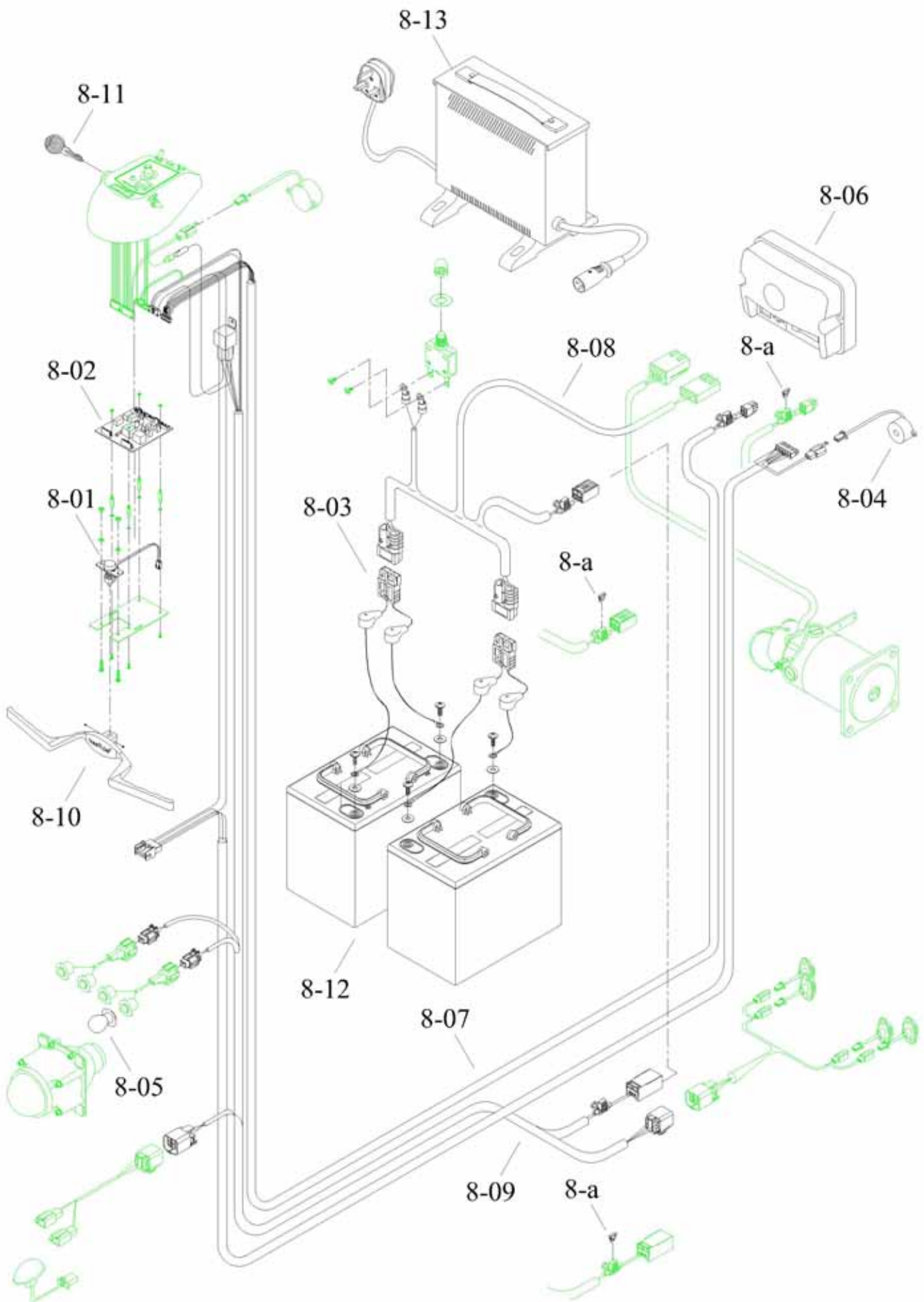
# SEAT ASSEMBLY



# SEAT ASSEMBLY

DRAWING NO.	PART NO.	PART NAME		
7A	AD00-0900-G2	CAPTAIN'S SEAT ARMREST ASSY.		
7-01	AD14-0400-L	ARMREST LEFT ASSY.		
7-02	AD14-0400-R	ARMREST RIGHT ASSY.		
7-03	PA15-A100	RAIL WITH SEAT STAND ASSY.		
7-04	PP00-0200	TIGHTEN KNOB		

# CONSOLE AND WIRING SYSTEM



# CONSOLE AND WIRING SYSTEM

DRAWING NO.	PART NO.	PART NAME			
8-01	PA02-A200-J5	5KVR POTENTIOMETER BRACKET ASSY.			
8-02	PAE1-0305	P.C.B (SPC 1 94V-0)			
8-03	PAE3-0301	BATTERY CABLE ASSY.			
8-04	PKE1-0601	REVERSE HORN			
8-05	PK00-0100	12/15W HEAD LIGHT BULB			
8-06	PKE2-0101	CONTROLLER P&G 110 EGIS			
8-07	PKE2-0202	MAIN CABLE ASSY. P&G110			
8-08	PKE2-0501	CONNECTING CABLE			
8-09	PKE3-0603	MAIN LIGHT CABLE			
8-10	PM02-0302-D2	WIGWAG ACCELERATOR (AL.)			
8-11	PM90-0900	KEY			
8-12	PK90-0208-GS	75A BATTERY			
8-13	PK90-C802-1A	BATTERY CHARGER			
8-a	PKE1-1002-2	10A FUSE			